



TEN-FWO8EB - SDU ENTRY ENCLOSURE

Installation Guide

Rev. 1.00/10.2024

Contents

Getting Started.....	1
Introduction	1
Package Contents.....	1
About the TEN-FWO8EB SDU Entry Enclosure.....	2
Product Specification - General	2
Mechanical Layout	2
Installation Instructions	3
General Preparations and Precautions	3
Installation Guidelines	3
Mounting Guidance	9
Legal Declarations	10

Getting Started



TEN-FWO8EB - SDU Entry Enclosure

Introduction

Thank you for choosing this Teleste product. The TEN-FWO8EB is an innovative external enclosure specifically designed for Single Dwelling Unit building entry. Engineered for outdoor mounting applications, it boasts an impressive IP65 rating, ensuring durability against the elements. The design prioritizes both functionality and aesthetics, making installation not only safe and straightforward but also visually appealing.

Package Contents

Kindly unpack the TEN-FWO8EB and confirm that all items are present, as illustrated in Figure 1 and in the following bullet list. Should any items be missing, please promptly contact your local seller for assistance.

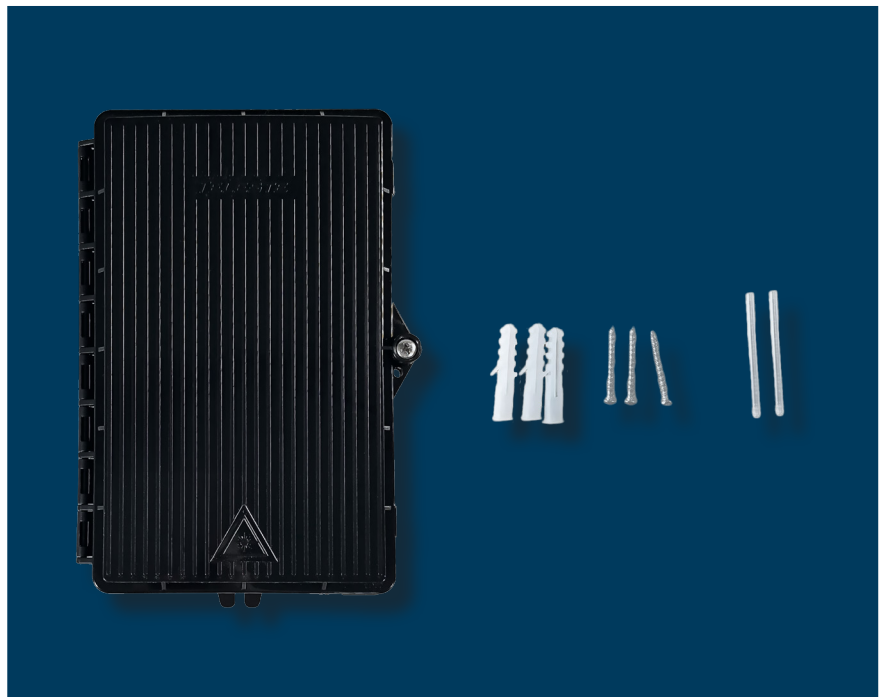


Figure 1 - Package contents

- TEN-FWO8EB enclosure
- 2 x heat shrink splice protectors
- 3 x fixing wall screws
- 3 x wall fixings
- Silicon tubes for 8 / 7 / 6 mm (not shown in Figure 1)
- 2 x cable ties (not shown in Figure 1)

About the TEN-FWO8EB SDU Entry Enclosure

This SDU Entry Enclosure is expertly engineered for effortless installation and is specifically designed for outdoor mounting applications. It offers versatile options for output or entrance through the back, along with two convenient drop output locations on the sides for 2 to 5 mm cables. Furthermore, it accommodates the installation of an optional GAS block.

Product Specification - General

Dimension (LxWxH)	200 x 131.3 x 36 mm	IP Rating	IP65
Material	Thermoplastic	Supported Adaptors	SC, LC
Material Flammability Rating	HB (UL94)	UV Resistance	UV stabilized
Operating Temperature	-40 - +85 °C	Colour	White (RAL9010), Grey (RAL7035) or Black RAL9005

Mechanical Layout

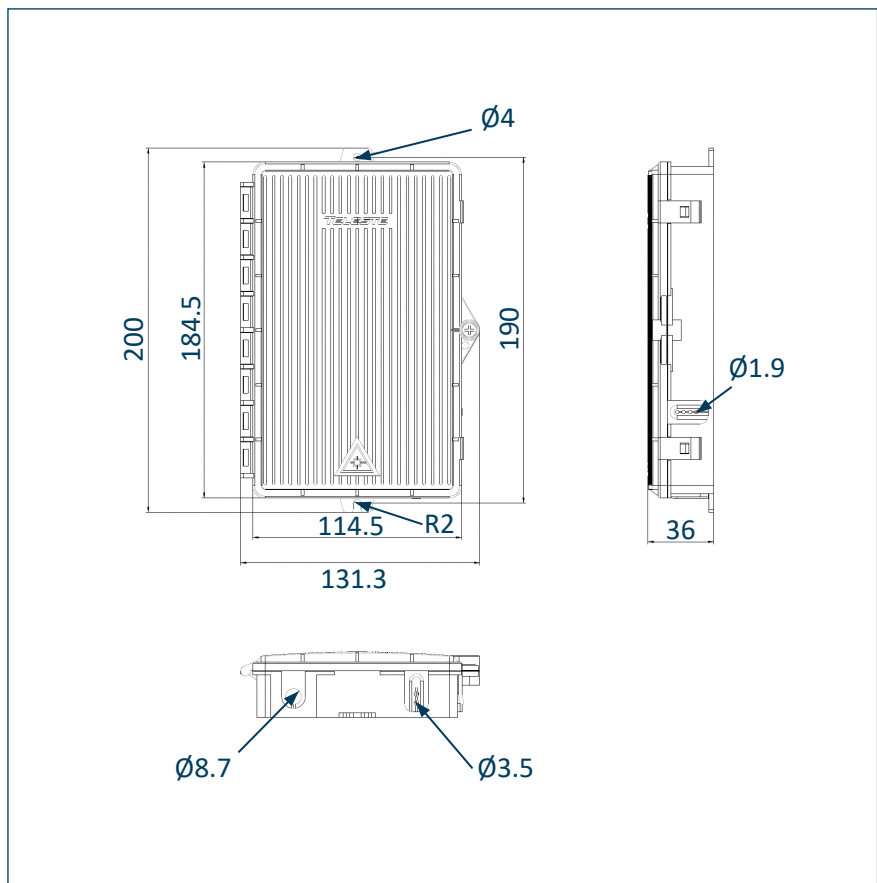


Figure 2 - Mechanical layout

Installation Instructions



Warning! Ensure to follow basic safety precautions to reduce risk of fire, electrical shock, and personal injury.



All necessary safety instructions must be followed during the installation and maintenance operations. The safety requirements for class 1M lasers are detailed in EN60825-1.

Thank you for choosing this Teleste product. We appreciate your trust in our brand. Before you begin the installation process, please take a moment to carefully read through these instructions. Familiarizing yourself with the guidelines will ensure a smooth and successful installation, helping you make the most of your new product.

General Preparations and Precautions

1. Check the SDU Entry Enclosure, cable items and all other components for any damages before installation.
2. Make sure to keep all components dry and clean for the installation.
3. Keep the working environment clean (dry and no dust) and flat for the installation.
4. It's essential to use standard instruments and tools during installation. This practice minimizes the risk of damage and guarantees long-term performance.

Installation Guidelines

1. Start by cutting the tubing to the desired height for the TEN-FW08EB, ensuring to remove a minimum of 2.5 cm from the outer tube.



Picture 1



Note! Optical fibres should not be damaged. Cut the damaged fibre, and re-strip the fibre if any damage occurs.

2. Pull the fiber through the gas block, secure the gas block onto the tube, and insert the orange tap. Turn the black lid to secure the cable and tighten the gasket. See Picture 2 for reference. Now, strip the cable sheath, stopping 3-4 cm before the gas block



Picture 2

3. Insert the tube, which already contains the cable, into the box, as shown in Picture 3.

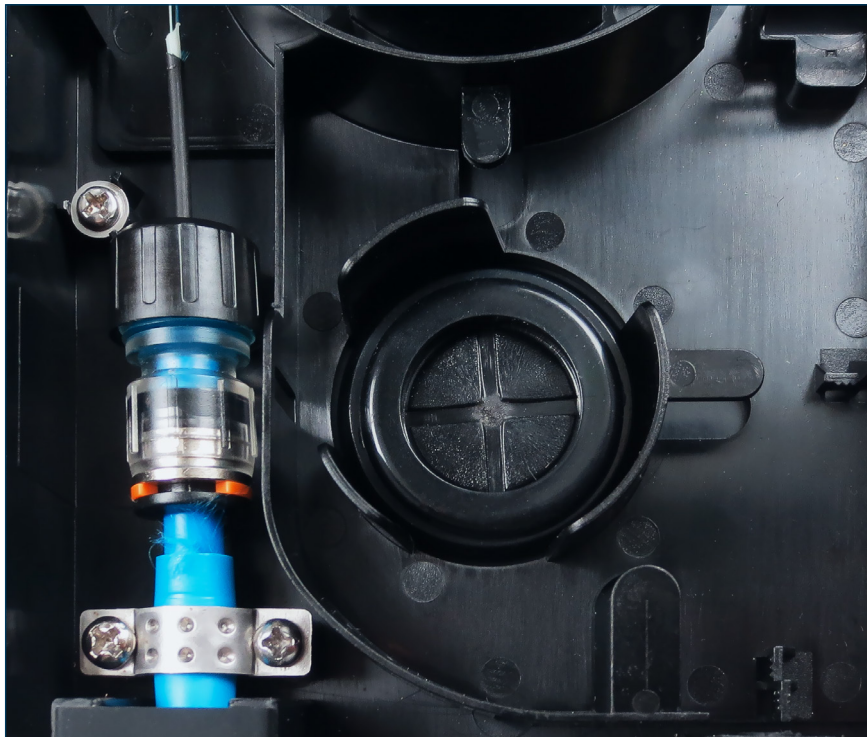


Picture 3



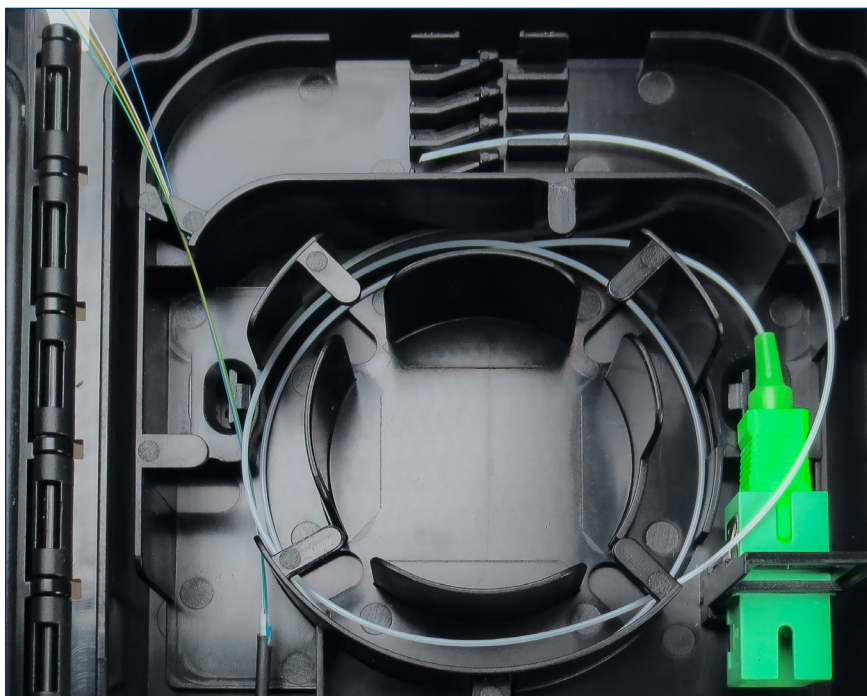
Warning! Never look directly into the end of a fibre or a fibre connector that may be carrying laser light. Laser light, visible or invisible, can seriously injure eyes or even cause blindness.

- Next, install the enclosure rubber gasket around the tube, and then tighten the clamps to secure the tube firmly in place. See Picture 4 for reference.



Picture 4

- Coil the fiber and route it onto the splice tray, adjusting the length as needed. Install the adapter and pigtail, then coil the fiber of the pigtail and route it onto the splice tray.



Picture 5

6. Splice the fiber, then insert the spliced fiber into its designated slot on the splice tray, ensuring it is well seated, see Picture 6.



Picture 6



Note: Always clean optical adapters and connector end faces as part of the enclosure installation; this is crucial for maintaining optimal network performance. Contaminants like dust and oils can obstruct light transmission, leading to significant signal loss and degraded performance. A clean connection ensures consistent performance and network integrity. Be sure to follow proper cleaning techniques and inspect connectors and adapters before installation.

7. Install the outgoing fiber cable into the adapter, route the cable onto the coil, and select a preferred outgoing port. Picture 7 illustrates routing the outgoing cable through the back-side port, Picture 8 shows the usage of the side port, and Picture 9 depicts the front port. Choose the option that best suits your installation requirements.



Picture 7

- Note: The rubber seal can be easily moved to a preferred location of the enclosure. See Picture 8 and 9.



Picture 8



Picture 9

9. Finally, close the lid, tighten the screw, and ensure that both clamps are snapped into position. Gently brush off any dust or dirt to achieve a clean finish. The installation is now successfully completed.



Picture 10



Picture 11



TEN-FWO8EB - Backside shown for reference

Mounting Guidance

To successfully complete a wall mount installation, follow the guidance steps outlined below. Ensure you have all necessary tools and materials on hand before beginning the process.

1. Drill holes in the wall at the designated locations. Insert the wall fixing plugs into these holes. Position the box so that it aligns perfectly with the drilled holes.
2. Once aligned, secure the box in place by inserting and tightening the self-tapping screws.

Legal Declarations

Copyright © 2024 Teleste Corporation. All rights reserved.

TELESTE is a registered trademark of Teleste Corporation. Other product and service marks are property of their respective owners.

This document is protected by copyright laws. Unauthorized distribution or reproduction of this document is strictly prohibited.

Teleste reserves the right to make changes to any of the products described in this document without notice and all specifications are subject to change without notice. Current product specifications are stated in the latest versions of detailed product specifications.

To the maximum extent permitted by applicable law, under no circumstances shall Teleste be responsible for any loss of data or income or any special, incidental, consequential or indirect damages howsoever caused.

The contents of this document are provided “as is”. Except as required by applicable law, no warranties of any kind, either express or implied, including, but not limited to, the implied warranties of merchantability and fitness for a particular purpose, are made in relation to the accuracy, reliability or contents of this document.

Teleste reserves the right to revise this document or withdraw it at any time without notice.



TELESTE

TELESTE CORPORATION

P.O.Box 323

FI-20101 Turku, Finland

www.teleste.com

Copyright © 2024 Teleste Corporation. All rights reserved. Teleste and the Teleste logo are registered trademarks of Teleste Corporation. Other product and service marks are property of their respective owners. Teleste reserves the right to make changes to any features and specifications of the products without prior notice. Although the information in this document has been reproduced in good faith, the contents of this document are provided "as is". Teleste makes no warranties of any kind in relation to the accuracy, reliability or contents of this document, except as required by applicable law.